

## POWER UNITS - HPVT SERIES - 10,000 PSI

ELECTRIC MOTOR - 2 TO 5 HORSEPOWER 1200 TO 1800 RPM, 230/460/60/3, CLOSE COUPLED

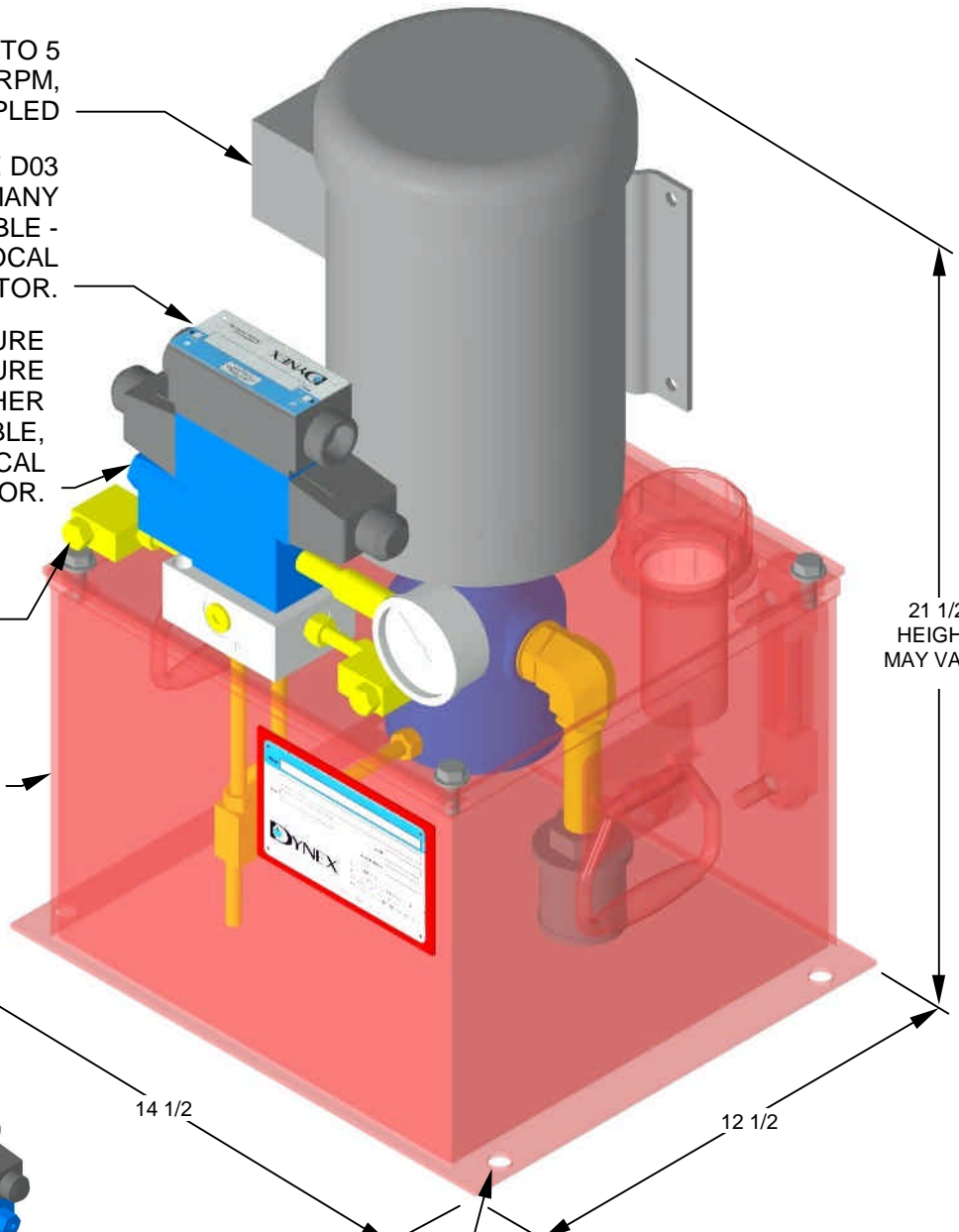
DYNEX HIGH PRESSURE D03 DIRECTIONAL VALVE. MANY CONFIGURATIONS AVAILABLE - CONSULT FACTORY OR A LOCAL DYNEX DISTRIBUTOR.

DYNEX HIGH PRESSURE SANDWICH RELIEF PRESSURE RANGES TO 10,000 PSI OTHER PRESSURE CONTROLS AVAILABLE, CONSULT FACTORY OR A LOCAL DYNEX DISTRIBUTOR.

OUTLET PORTS - 3/8" M/P CONED & THREADED, AUTOCLAVE/BUTECH

RESERVOIR W/ REMOVABLE TOP, FILLER/BREATHER AND OPTIONAL HANDLES. 3 OR 5 GALLON CAP.

MOTOR CAN BE ORDERED WITH FEET FOR MOUNTING ADDITIONAL EQUIPMENT, SUCH AS A STARTER.



21 1/2  
HEIGHT  
MAY VARY

14 1/2

12 1/2

9/16" DIA.  
MOUNTING HOLES

### STANDARD FEATURES:

- DYNEX HP03 DIRECTIONAL VALVE, RELIEF AND SUBPLATE
- RELIABLE PF500 SERIES PUMP
- COMPACT SIZE AND WEIGHT
- QUIET OPERATION
- CLOSE COUPLED MOTOR PUMP
- REMOVABLE TOP COVER
- STANDRAD EXTERIOR PAINT
- MAGNETIC DRAIN PLUG
- FILLER/BREATHER & SIGHT GAGE
- STANDARD EXTERIOR PAINT

DYNEX HIGH PRESSURE CHECK BALL PUMP, PF500 SERIES. FLOWS TO 0.50 GPM @ 1200 RPM OR 0.7 GPM @ 1800 RPM.

**DYNEX**  
High Pressure Hydraulics

Issued: 05/02  
HPVT\_HPU.doc

# POWER UNITS - HPVT SERIES

## ORDERING CODE

HPVT - 5 - 09J4203 - PF510 - O - V1 - S - PR

### STYLE

HPVT - HIGH PRESSURE  
VERTICLE TANK

### SIZE

3 - 3 GALLON CAPACITY  
5 - 5 GALLON CAPACITY

SS - ADD THIS SUFFIX FOR  
STAINLESS STEEL  
H - ADD THIS SUFFIX TO  
INCLUDE HANDLES

### PUMP

(Note: Flow ratings at 1800 RPM)  
PF501H - 0.22 gpm / 0,83 L/min  
PF504H - 0.35 gpm / 1,32 L/min  
PF507H - 0.48 gpm / 1,82 L/min  
PF510H - 0.70 gpm / 2,65 L/min

### FLUID

O - PETROLEUM BASE OIL  
WG - WATER GLYCOL  
PE - PHOSPHATE ESTER  
X - SPECIAL

### VALVES

OMIT - NONE  
V1 - 1 VALVE  
V2 - 2 VALVES  
V3 - 3 VALVES  
V4 - 4 VALVES  
V5 - 5 VALVES  
DM\* - DRILLED MANIFOLD

### OPTIONS

(OTHERS AVAILABLE. USE QTY. PREFIX FOR ALL CODES)

S - SUCTION STRAINER  
SGT - OIL SIGHT GAGE  
PR - PRESSURE GAGE  
GNV - GAGE SHUTOFF  
GS - GAGE SNUBBER  
NV - NEEDLE VALVE  
HFBV - XHP BALL VALVE  
LPC - CHECK VALVE, 5 PSI  
HPC - CHECK VALVE, 65 PSI  
SPRV - SUBPLATE WITH RELIEF VALVE  
RBF - RETURN FILTER  
PBF - PRESSURE FILTER  
PS - PRESSURE SWITCH  
ACC - ACCUMULATOR  
W - WATER COOLER  
WR - WATER MODULATING VALVE  
WS - WATER STRAINER  
A - AIR RADIATOR  
JIC - TERMINAL BOX  
MS - MOTOR STARTER  
STO - SOLENOID/SWITCH WIRING CORD  
COND - SOLENOID/SWITCH WIRING SEALTITE  
MW - MOTOR WIRING  
DH = FULL ENCLOSURE  
DP - DRIP PAN

### ELECTRIC MOTOR CODE

FACE TYPE	MOTOR MOUNT	SHAFT	HP	RPM	ENCLOSURE	VOLTAGE
09 - 4 1/2" C'FACE	OMIT - FOOT MOUNT V - VERTICAL MOUNT	OMIT - MALE KEYED SHAFT CC - CLOSE COUPLED	G - 2 H - 3 J - 5	2 - 1200 4 - 1800	1 - ODP-SE 1 2 - TEFC-SE 1 3 - DDM-SE 1 4 - EXP-SE 1 9 - CP-SE 1	01 - 115/230/60/1 02 - 110/220/50/1 03 - 230/460/60/3 04 - 220/440/50/3

OTHER OPTIONS AVAILABLE - CONSULT FACTORY

### ADDITIONAL INFORMATION REQUIRED

- HYDRAULIC SCHEMATIC SHOWING ALL COMPONENTS ON UNIT
- ENVIRONMENTAL CONSIDERATIONS
- DUTY CYCLE IF OTHER THAN CONTINUOUS
- PAINTING REQUIREMENTS
- ANY ADDITIONAL CONSTRUCTION CONSIDERATIONS

NOTE 1:  
ODP=OPEN DRIP PROOF  
TEFC=TOTALLY ENCLOSED FAN  
COOLED  
DDM=DIRTY DUTY MOTOR  
EXP=EXPLOSION PROOF  
CP=CHEMICAL PROCESS  
SE=SINGLE END MOTOR



Issued: 05/02  
HPVT\_HPU.doc